



WARNING

IMPORTANT MAINTENANCE AND TESTING INSTRUCTIONS

TO PREVENT POSSIBLE SERIOUS INJURY OR DEATH

Garage Door operators with a battery backup (BBU) system are
"NOT DESIGNED TO SERVE AS A LIFE SAFETY DEVICE"

All garage operators sold or replaced in the state of California effective July 1st, 2019 are required to be installed with a Battery Backup System (BBU). Violation of Bill SB 969 provisions are subject to a civil penalty of \$1,000 per opener installed, manufactured, sold, or offered for sale which is not in compliance with Section 19890 of, and to added Section 19892 to, the Health and Safety Code relating to automatic garage door openers.

Battery Backup System (BBU) Maintenance and Testing

Every Year

Test periodically as outlined in testing guidelines below the battery backup system. Consider replacing the battery system to ensure the garage door operator will operate/function during an electrical power outage.

Every Three (3) Months

Testing the Battery Backup System (BBU)

1. Unplug the garage door operator from AC power. The battery status GREEN LED will flash (operator is operating on battery power) or Status RED LED will flash (low battery power). Replace batteries if blinking RED LED persists 24 Hrs. after power is restored.
2. Open and close door using the remote control/transmitter or wall control console.
3. Plug the garage door opener back into AC Power. Verify the battery system status: LED is solid GREEN (Batteries are charging).

Note: New installation or after an electrical power outage, the system requires 24 hours for the batteries to fully charge.

For battery backup replacement **contact Marantec America at 1-888-622-2489. Battery Backup replacement must be done ONLY with recommended by manufacturer part number 104586 (Battery Model WP1.2-12 Sealed Cell, Lead Acid with pressure release vents and Battery size 12V 1.2Ah).**

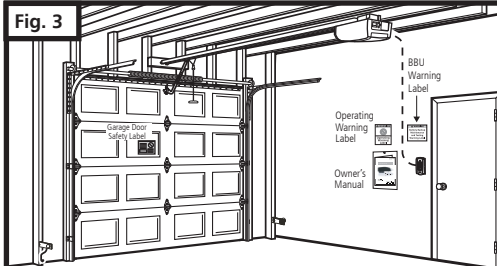
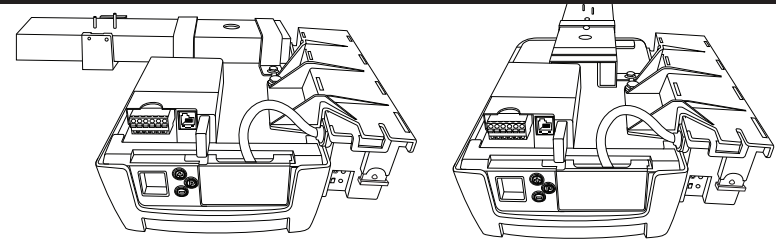


Fig. 3

Copyright 2019. All Rights Reserved.
No part of this booklet may be reproduced without our prior written approval.
Marantec reserves the right to design and technical specification subject to change without notice.

Synergy 260, 270 and 280 operators Battery Backup Installation Instructions



WARNING

IMPORTANT INSTALLATION INSTRUCTIONS TO REDUCE THE RISK OF SEVERE INJURY OR DEATH:

**GARAGE DOOR OPERATORS WITH A BATTERY BACKUP (BBU) SYSTEM ARE
"NOT DESIGN TO SERVE AS A LIFE SAFETY DEVICE"**

1. READ AND FOLLOW ALL WARNINGS AND INSTALLATION, MAINTENANCE AND TESTING INSTRUCTIONS.
2. Use only the following **Model WP1.2-12 (Sealed cell, lead acid batteries with pressure release vents) and battery(ies) size 12V 1.2Ah**
3. Do not dispose of the battery(ies) in fire. The cells may explode. Check with local codes for possible disposal instructions. Note: not applicable for battery(ies) not intended to be replaced.
4. Do not open or mutilate the battery(ies). Released electrolyte is corrosive and may cause damage to the eyes or skin. It may be toxic if swallowed.
5. Exercise care in handling battery in order not to short the battery with conducting materials such as rings, bracelets and keys.
6. Change the battery(ies) provided with or identified for use with this product only in accordance with the instructions and limitations specified in this manual.
7. Observe proper polarity orientation between the battery(ies) and charging circuit.
8. Do not mix battery(ies) of different sizes or from different manufacturers in this product
9. A battery-operated product employing a secondary supply intended to be charged within the product shall contain specific instructions concerning the proper method of charging.

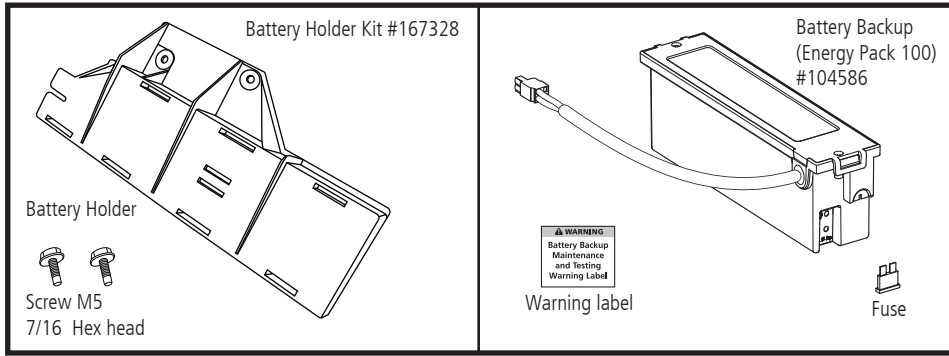


WARNING

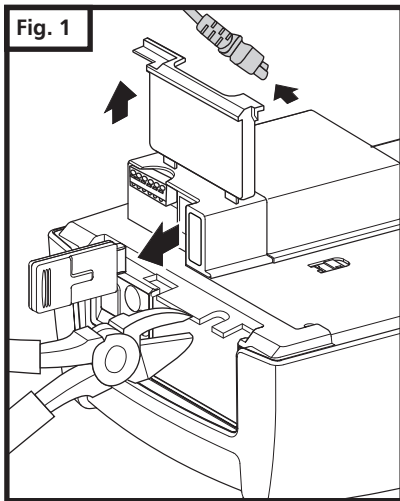
To reduce the risk of FIRE or INJURY:

- Disconnect ALL electric and battery power BEFORE performing ANY service or maintenance.
- For continued protection against fire, replace FUSE only with Type Littlefuse Blade Fuse Series 257 rated 15 Amps, 32VDC
- ALWAYS wear protective gloves and eye protection when changing the battery or working around the battery compartment.

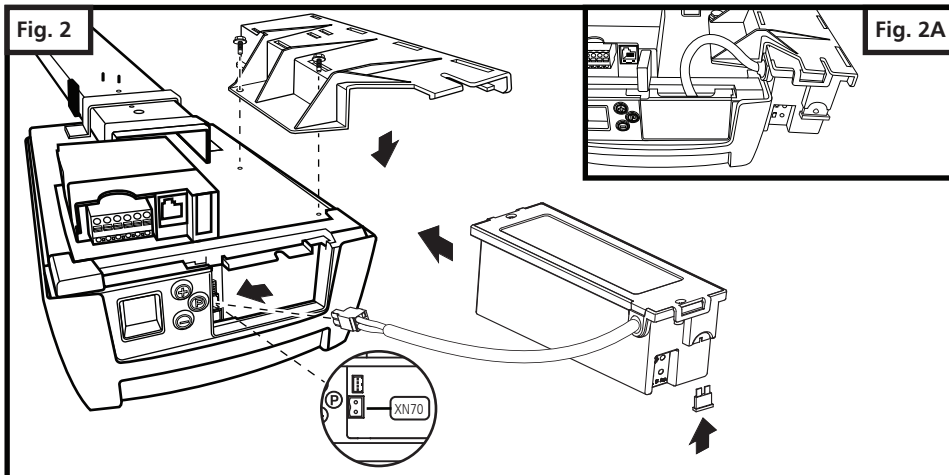
Battery Backup (BBU) Set Content #167329



Battery Holder and Energy Pack 100 Installation



- Disconnect power cord from operator (Fig. 1).
- Remove modular receiver (Fig. 1)
- Remove back cover (Fig. 1).
- Make opening in back plate for Battery Backup wire harness (Fig. 1).
- Locate battery holder and secure with two Screws M5 (Fig. 2).
- Insert energy pack 100 into battery holder (Fig. 2)
- Connect wire harness to connector XN70 (Fig. 2).
- Locate Energy Pack 100 cord in back plate cutout and reinstall back cover (See Fig. 2A).
- Insert Battery Backup Fuse (Fig. 2).
- Connect power cord to operator (Fig. 2).
- Apply Warning Label inside of garage as shown in Fig. 3.



IMPORTANT
Battery Normal Charge Condition
Upon connecting the new BBU Energy Pack 100 to the operator and connecting the operator to main power source as shown in Fig. 87. After 20 seconds the system will automatically recognize the connection and display a screen as shown in figure "A".

IMPORTANT
Battery Low Charge Condition
In the event the operator does not recognize the connection, the steps in figure "B" must be performed to bring the BBU, Energy Pack 100, on-line with operator.

A

B

Instructions for figure "B"

1. Press and hold **P** button for 10 seconds.
2. Press and release **+** button until the dashes above the numbers cover 1-5
3. Press and release the **P** button once.
4. Press and release the **+** button until the dashes underscore 1-7.
5. Press and release **P** button once.
6. Press and release **+** button – Number 2 is blinking
7. Press and release **P** button once.
8. Press and hold **P** button until the word "on" is being displayed – Number 3 on the screen indicates that the BBU has been activated.

10.

- Battery Charging green
Note: New installation or after an electrical power outage requires 24 hours to fully charge
- All Systems are Normal Fully Charged green
- Battery is Low red
• Replace batteries if blinking red LED persists 24hrs after power is restored.

IMPORTANT

The battery charges when the garage door operator is plugged into a working electrical outlet (it has power). Required charging time for a new installation or after an electrical power outage is 24 hours.

⚠ WARNING ⚠

- To obtain maximum battery life and to prevent damage, disconnect the battery when the garage door operator is unplugged for an extended period of time.
- Energy Pack should be replaced every 1-2 years with normal use, under normal operating conditions.
- Replace fuse with Type Littlefuse Blade Fuse Series 257 rated 15 Amps, 32VDC ONLY.