

Photo Eye Safety System (Model M8-705)

Replacement Instructions

⚠ WARNING ⚠

To prevent electrocution, disconnect the operator from power and turn off power at circuit breaker for the circuit you will be using to connect to the operator.

⚠ WARNING ⚠

To prevent serious injury or death from a closing door:

- To provide maximum protection, the photo eye brackets must be mounted between 3.5" and 5" above the floor, but not exceeding 5". The sensors must be installed with the wiring pointing downwards towards the garage floor as shown in Fig. 2.
- Correctly connect and align the safety sensors. This required safe device must NOT be disabled.
- Upon completion of installation, make sure that the system operation verification and safety reversal system test outlined by the garage door operator manufacturer and garage door manufacturer have been performed.

1. Disconnect power to opener.
2. Cut existing wires close to the sensors.
3. Remove brackets with attached sensors (models ML-705 and M4-705), or (model M8-705 sensors only).
4. Mounting the photo eye sensors brackets to the wall (if required see Fig. 1):
 - Locate the mounting position for the brackets (the bracket can be mounted in any position as long as the photo eye beam will have a clear path from one side of the door to the other side after mounting).
 - Use the bracket mounting holes as a template and drill (2) 3/16" diameter pilot holes on both sides of the garage door 3.5" to 5" above the floor but not exceeding 5".
 - Secure the bracket with 1/4" x 1" lag screws (not provided).
5. Mounting the photo eye sensors to the bracket:
 - The photo eye transmitter (TX) and photo eye receiver (RX) are already mounted in a mounting cap. Attach the transmitter (TX) sensor to one of the brackets and the receiver (RX) sensor to the other bracket.
 - To do this put the small bent clips on the back side of the mounting cap into the slots of the bracket as shown in Fig. 2 A.
 - To fasten the mounting cap twist the perpendicular clips as shown in Fig. 2 B.
 - Use the same position for the transmitter sensor and the receiver sensor on both brackets.
6. Dual door installation:
 - In dual door installation, the transmitter (TX) sensor and the receiver (RX) sensor should be mounted as indicated in Fig. 3. The TX and RX labels are located on the back side of the transmitter and receiver.

Fig. 1

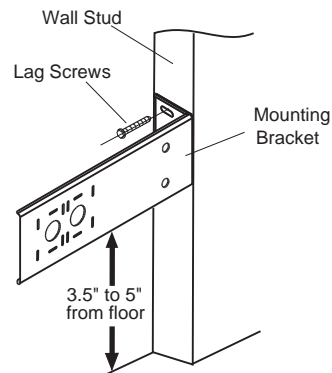


Fig. 2

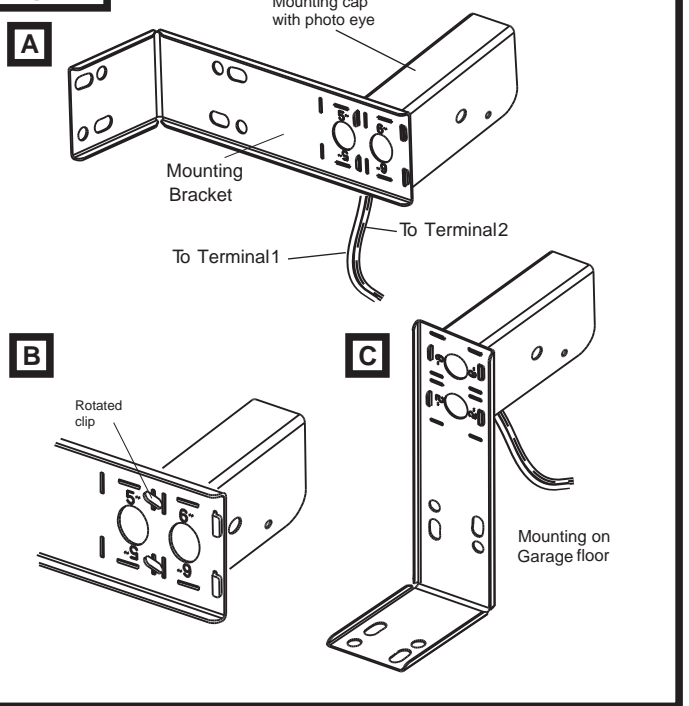


Fig. 3

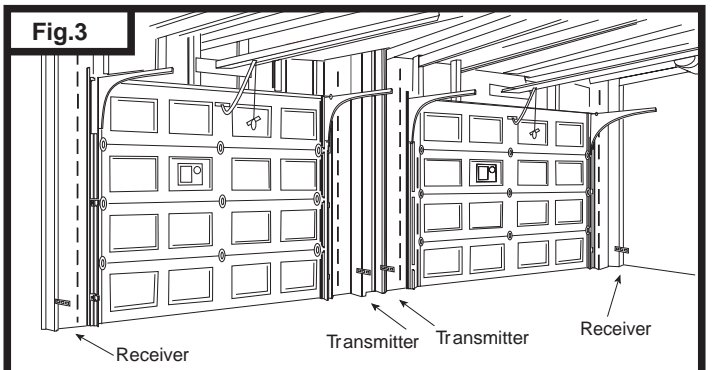


Photo Eye Safety System (Model M8-705)

Replacement Instructions

7. Connecting wires:

- Separate the insulation at the end of the new sensor wires and existing wires.
- Connect the white wires from each sensor with the white wires of the existing wire run from the operator using the cable connector (see Fig. 4).
- Make sure to insert only the insulated wire ends all the way into the connector.
- With adjustable pliers firmly crimp the connector.
- Repeat procedure for the striped wires.

8. Complete the remaining installation.

9. Plug in operator, or turn on power at breaker.

10. Sensors alignment procedure:

Photo eye sensors maintain an invisible, unbroken beam between each other. When the photo eye sensors are connected to the operator and the power is on, the green light on the transmitter sensor flashes. When the sensors are aligned, the green light on the transmitter sensor and the red light on the receiver sensor will light up.

Note: *Sensor alignment must be done with the door in the closed position in order to ensure proper visibility of sensor indicator LED.*

